

# Design and Analysis of Ultra-wide Band Bandpass Filter Using Spiral Stub-Loaded Triple-Mode Resonator with a Notched Band

G. Karimi<sup>\*(C.A.)</sup> and F. Sabaghi<sup>\*\*</sup>

**Abstract:** An ultra-wide band band-pass filter using novel spiral stub-loaded triple-mode resonator (SSL-TMR) is presented. New spiral stub loaded resonator is analyzed with odd and even modes analysis for this class of BPF, achieving higher band wide and size reduction. In order to have a good response characterized, two (SSL-TMRs) and two quarter wavelength digital coupled lines are used. This new design filter produces triple modes, one odd mode and two even modes in the desired band and two transmission zeroes (TZs) out of band, providing sharp cut off, low insertion-loss and good return-loss characteristics. The measured results are in good agreement with the electromagnetic simulation.

**Keywords:** Band Pass Filter (BPF), Ultra Wide Band (UWB), Spiral Stub-Loaded Triple-Mode Resonator (SSL-TMR), Odd and Even Mode Analysis, Notched Band.

## 1. Introduction

Various ultra-wide band bandpass filter have been extensively studied and developed to meet requirements in modern wireless communication systems (from 3.1 to 10.6 GHz) [1].

Much research works were conducted, and various design approaches were proposed. According to the requirements of the UWB filters, the UWB filters with steep passband selectivity and notched bands are desirable. For this purpose, several methods have been developed [2-6].

A compact UWB bandpass filter based on wave cancellation method with dual-band notch was proposed by authors in [2]. In the proposed structure, a couple of modified cross-shaped coupled lines (CCLs) is implemented between two ports, in order to omit the unwanted harmonic passbands. Controllable transmission zeroes (TZs) are introduced by adding CCLs, a pair of half-circle-shaped stubs and a stepped-impedance stub on the main resonator. Loading the CCLs and the stub loaded resonator (SLR) in this filter caused to reduce the total size of the plane. Although, this filter benefits from these features, etching two symmetrical T-shaped slots on the ground plane in order to enhancement the coupling degree

caused the fabrication trepan would become intricacy.

Authors in [3] in order to introduce another UWB bandpass filter, using E-shaped resonator based on variation of genetic algorithm (GA). Although, the structure of this filter is simple and flexible for omit undesired radio signals appeared in UWB band, the stop-band edges present low attenuation to raise the possibility of signal error rating. In [4], an UWB bandpass filter is described so that three transmission nulls in the upper stop band and three transmission poles in the passband are generated using stepped-impedance parallel-coupled microstrip structure, including three subsections of different lengths and coupling factors. The UWB bandpass filter based on a simplified composite right/left-handed (SCRLH) resonator has also been presented in [5]. To eliminate interfered WLAN and satellite-communication systems signals, the SCRLH has produced dual notched bands in 5.8GHz and 8GHz respectively by employed folded shunt quarter-wavelength short-circuited stubs.

Another procedure to manufacture ultra-wideband bandpass filter is differential filter [6]. Based on this method, to get the 180° phase shift out of band width, 180° UWB phase shifters and 360° transmission lines are used in the plan. According to the proposed filter, the differential-mode signals can propagate in the UWB frequency response, while the common-mode noises are cancelled in the related frequency band.

As known, in order to avoid the interference from the military satellite communication signals, the UWB filter with high passband selectivity and notch band is required. In this paper, we propose a new UWB filter using the spiral

Iranian Journal of Electrical & Electronic Engineering, 2017.

Paper received 4 December 2016 and accepted 7 August 2017.

\* The Author is with the Department of Electrical Engineering, Razi University, Kermanshah, Iran.

E-mail: ghkarimi@razi.ac.ir

\*\* The Author is with the Department of Electrical Engineering, Islamic Azad University, Science and Research Branch, Tehran, Iran.

Corresponding Author: G. Karimi

stub-loaded multiple-mode resonator for achieving the high passband selectivity and a notched band simultaneously. The filter consists of two spiral stub loaded resonators to reduce the size of filter and two quarter wavelength digital coupled lines (QWL-DCL) to produce wide passband on FCC demand. The proposed filter generates triple modes, one odd mode and two even modes in desired passband and two transmission zeroes (TZs) near the upper and lower cut off frequencies.

## 2. Design and Analysis of the SSL-TMR

Fig. 1 shows the basic structure of the presented filter. It consists of two spiral stub loaded resonators employed between two quarter wave length digital coupled lines.

Since the proposed SSL-TMR has symmetrical structure, we can apply the even-odd mode method to analyse this filter. As depicted in Fig. 1, fundamental SSL-TMR shaped resonator splits into two equivalent circuits for even and odd modes along the symmetric plan of the filter.

In the odd mode excitation, voltages and currents on the two ports of the symmetric plan have the same amplitudes but opposite signs. For this reason, the middle point of the symmetric plan will connect the ground node. Based on this excitation, the transmission line with admittance  $Y_1$  in Fig. 2a is kept and ignored two T-shaped stubs.

Therefore, the odd mode resonance input admittance  $Y_{in,odd}$  can be expressed as

$$Y_{in,odd} = \frac{Y_1}{j \tan \theta_1} \quad (1)$$

where  $\theta_1 = \beta L_1$  is the electric length of the microstrip line and  $Y_1, L_1$  denote the characteristic admittance and length of the microstrip line, respectively. From the resonance condition of  $Y_{in,odd} = 0$ , the odd mode resonant frequencies can be resulted as:

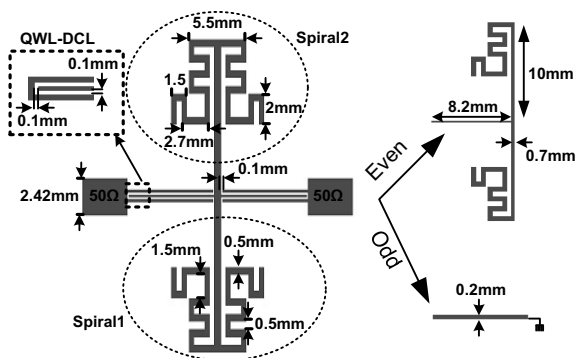


Fig. 1. Configuration of the proposed UWB filter

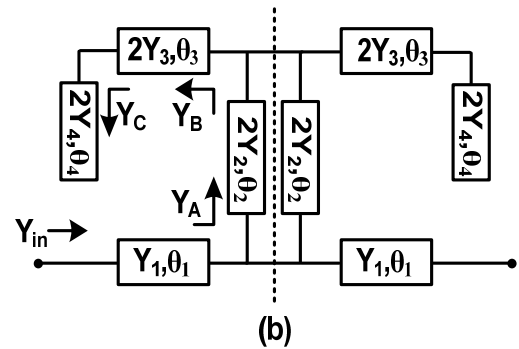
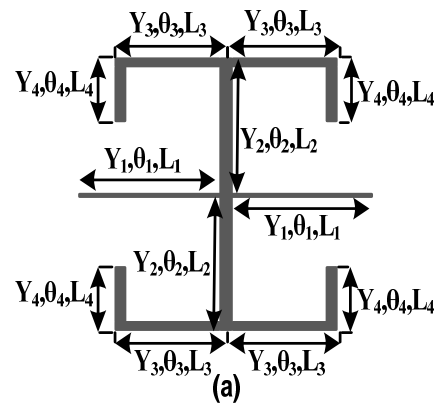


Fig. 2. Configuration of the correspondence shape of the basic SSL-TMR (a) conventional resonator. (b) even-mode equivalent diagram

$$f_{odd} = \frac{(2n-1)C}{4L_1 \sqrt{\epsilon_{eff}}} \quad (2)$$

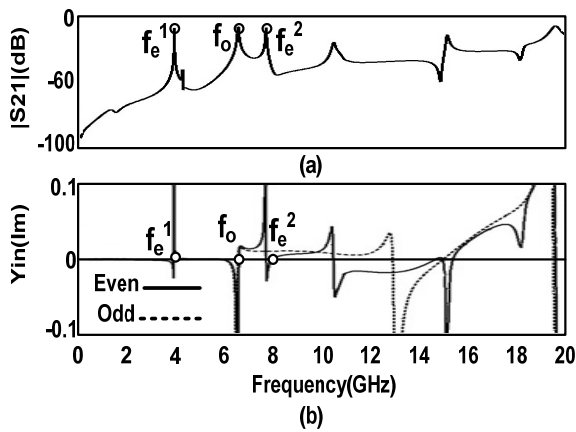
where  $n=1, 2, \dots, c$  is the speed of light in free space, and  $\epsilon_{eff}$  denotes the effective dielectric constant of the substrate. It can be observed that the odd mode resonant frequency is not affected by the T-shaped stubs.

Based on the method presented in [7], the equivalent diagram for even mode is used as exhibited in Figure 2b. Also as shown in Figure 2a, two T-shaped resonators by admittance lines ( $Y_2, Y_3, Y_4$ ) are shunted. To get a new resonator with similar features, two shunt lines admittances are considered equal to admittance lines in Figure 2b ( $2Y_2, 2Y_3, 2Y_4$ ).

The input admittance for even-mode can be approximately obtained as [2]:

$$Y_{in,even} = jY \frac{\tan \theta_1 (1 - R - \tan \theta_2)}{1 - \tan \theta_2 (R + \tan \theta_3) - 2R \tan \theta_1 - 2 \tan \theta_1 \tan \theta_2 (1 - R)} \quad (3)$$

For simplicity,  $Y_1=Y_2=Y_3=Y_4=Y$  and  $R=\tan \theta_3 \tan \theta_4$  are assumed. According to the resonance condition



**Fig. 3.** Even and odd modes responses. (a) simulated frequency response of the proposed filter under tight coupled excitation. (b) odd and even modes input admittances against frequency

$Y_{in,even}=0$ , the even-modes resonant frequencies can be derived as:

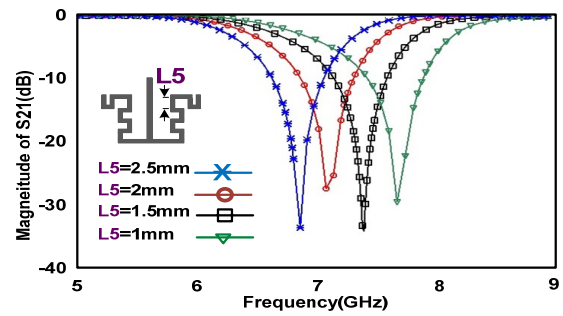
$$f_{in,even} = \frac{nc}{2(L_1 + L_2 + L_3 + L_4)\sqrt{\epsilon_{eff}}} \quad (4)$$

where  $n=1, 2, \dots$ . As seen in the equation (4), by replacing ( $L_1=8.55$  mm,  $L_2=9.5$  mm,  $L_3=6.35$  mm,  $L_4=7$  mm and  $\epsilon_{eff} = 1.89$ ), the second even mode frequency is obtained as 7.7 GHz, having good agreement with simulated frequency in Figure 3.

The transmission zeroes occur when the complex transmission coefficient  $S_{21}=0$  in the two-port network. The  $S_{21}$  are given by [8]

$$S_{21} = \frac{Y_{in,odd}Y_0 - Y_{in,even}Y_0}{(Y_0 + Y_{in,odd})(Y_0 + Y_{in,even})} = 0 \quad (5)$$

where  $Y_0$  is the characteristic admittance. From this equation, the condition of transmission zero frequencies are obtained when  $Y_{in,odd} = Y_{in,even}$ . So using equations (2)-(5), the even-odd mode frequencies are obtained. From simulation results, the first even mode resonance frequency is  $f_e^1 = 3.94$  GHz, the second one is  $f_e^2 = 7.72$  GHz and the only odd-mode frequency is located at  $f_o^1 = 6.568$  GHz, as depicted in Figure 3, being in close agreement with the results using above equations. As seen in Fig.4, the position of notched band frequency could be controlled by length of  $L_5$ , making this filter applicable for many utilizations in new communication systems. It is clearly observed that with increasing length  $L_5$ , the

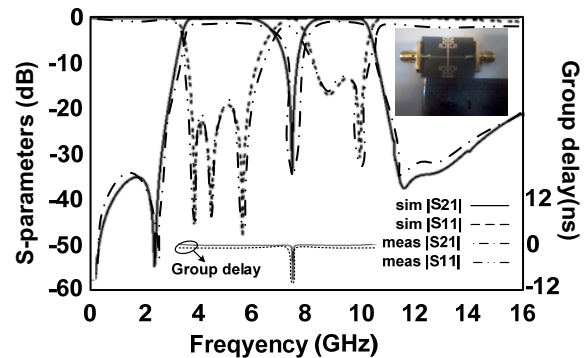


**Fig. 4.** Notch band location against the length of  $L_5$ .

notched band frequency is shifted to lower frequency and decreasing the  $L_5$  increases notched band frequency. Figure 5 shows the simulated and measured results. As seen, from 3.3 GHz to 10.3 GHz, the measured return loss is greater than 13dB and the measured insertion loss is less than 0.6 dB.

### 3. Simulation and Measurement

The measured results have a 3 dB fractional band width (FBW) of 120%. The UWB BPF is optimised by EM-Simulation using ADS and fabricated on the Rogers-RT-Duroid 5880 substrate with  $\epsilon_r=2.2$ ,  $h=31$  mil and  $\tan\delta=0.0009$ . The physical dimensions were decided as  $L_1=8.2$ ,  $L_2=10$ ,  $L_3=6$ ,  $L_4=7$  all are in mm and electrical dimensions are  $\theta_1=1.64$ ,  $\theta_2=2$ ,  $\theta_3=1.2$ ,  $\theta_4=1.4$ . Also, the total size of the proposed filter is  $17.3 \times 20.2$  mm<sup>2</sup>. Table 1 summarizes the UWB bandpass filter performance, such as 3 dB fractional bandwidth (FBW), relative stop band bandwidth (RSB), roll off (ROF), normalized circuit size (NCS), figure of merit (FOM) and its comparison with the other UWB works. These parameters are defined as follows:



**Fig. 5.** Photograph of fabricated filter, Simulated and measured frequency responses and Group delay

**Table 1** Comparisons with other works

Ref.	Notch (GHz)	B-W (GHz)	3dB FBW%	RSB	ROF	NCS ( $\lambda_0$ ) <sup>2</sup>	FOM
[3]	5.9-8	3.91-10.11	108	7.1	12.2	0.42	26100
[4]	No	3.1-10.6	110	6.8	21.6	0.72	22440
[5]	5.8,8	2.8-10.9	118	6.84	17	0.7	19601
[6]	No	3.1-10.6	135	0.05	6.37	2.22	19.37
<b>This work</b>	<b>7.4</b>	<b>3.36-10.32</b>	<b>103</b>	<b>6.8</b>	<b>34</b>	<b>0.33</b>	<b>72162</b>

$$FOM = \frac{FBW.RSB.ROF}{NCS} \quad (6)$$

As presented in Table 1, the proposed SSL-TMR has a good performance and figure of merit, as compared to the other UWB bandpass works.

#### 4. Conclusion

In this paper, the proposed UWB filter with notch band using the spiral stub loaded triple modes resonator has been presented. The notch band at 7.4 GHz with insertion losses of 34.5 dB can be determined by the L5. This study provides a simple and effective method to design a compact UWB filter with notch band and high passband selectivity. Good agreement between the measurement and EM-Simulation has been observed. The proposed UWB BPF is actually suitable for modern ultra wideband communication systems.

#### References

- [1] First report and order in the matter of revision of part 15 of the commission's rules regarding ultra-wideband transmission systems, released by Federal Communication Commission ET-Docket, vol.22, pp. 98-153, 2002.
- [2] B. Mohammadi, A. Valizade, J. Nourinia, P. Rezaei, "Design of a compact dual-band-notch ultra-wideband bandpass filter based on wave cancellation method," IET Microw. Antennas Propag, vol. 9, no.1, pp. 1-9, Dec. 2014.
- [3] J. Zhao, J. Wang, G. Zhang, J. L. Li, "Compact microstrip UWB bandpass filter with dual notched band using E-shaped resonator," IEEE Microw. Wireless Compon. Lett, vol. 23, no.12, pp. 638-640, Oct. 2013.
- [4] A. M. Abbosh, "Design method for ultra-wideband bandpass filter with wide stopband using parallel-coupled microstrip lines," IEEE Trans. MTT, vol. 60, no.1, pp. 31-38, Nov. 2011.
- [5] F. Wei, Q. Y. Wu, X. W. Shi, L. Chen, "Compact UWB bandpass filter with dual notched bands

based on SCRLH resonator," IEEE Microw. Wireless Compon. Lett, vol. 21, no. 1, pp. 28-30, Nov. 2010.

- [6] X. H. Wang, H. Zhang, B. Z. Wang, "A novel ultra-wideband differential filter based on microstrip structures," IEEE Microw. Wireless Compon. Lett, vol. 23, no.3, pp. 128-130, Feb. 2013.
- [7] F. C. Chen, Q. X. Chu, "Novel multistub loaded resonator and its application to high-order dual-band filters," IEEE Trans. MTT, vol. 62, no. 5, pp. 1162-1172, Apr. 2014.
- [8] J. S. G. Hong, Microstrip filters for RF/microwave application, 2nd ed., New York: John Wiley & Sons, 2011.



Gh. R. Karimi was born in Kermanshah, Iran in 1978. He received the B.S. and M.S. and PhD degrees in electrical engineering from Iran University of Science and Technology (IUST) in 1999, 2001 and 2006 respectively. He is currently an Associate Professor in Electrical Department at Razi University, Kermanshah. His research interests include low power Analog and Digital IC design, RF IC design, modeling and simulation of RF mixed signal IC and microwave devices.



F. Sabaghi was born in Kermanshah, Iran in 1985. She received her B.Sc. degree in Electronic Engineering in 2009 from Islamic Azad University, Kermanshah Branch in Iran and her M.Sc. degree in Electronic Engineering in 2014 from Islamic Azad University, Science and Research Branch in Iran. Her present research interests are RF/Microwave circuit design.